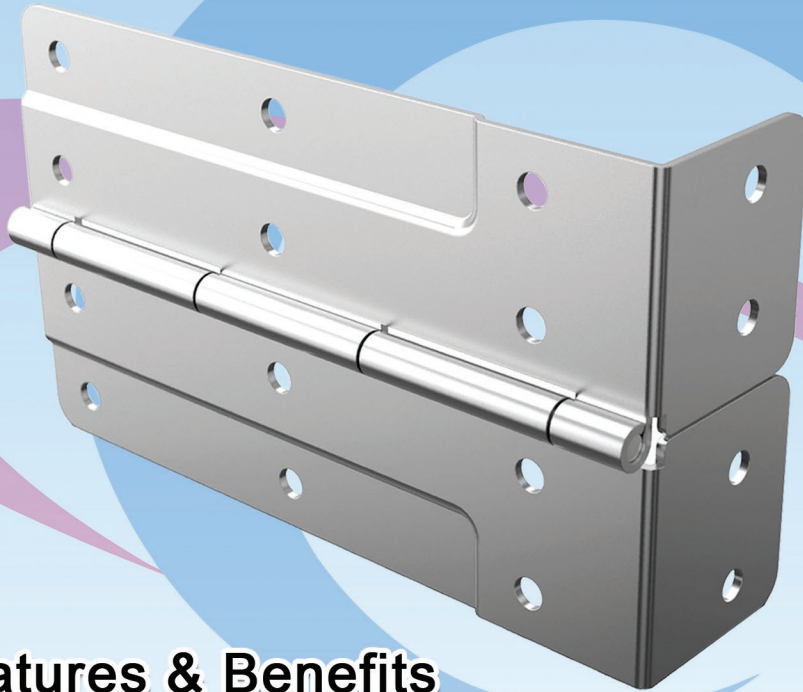


## New Product Announcement

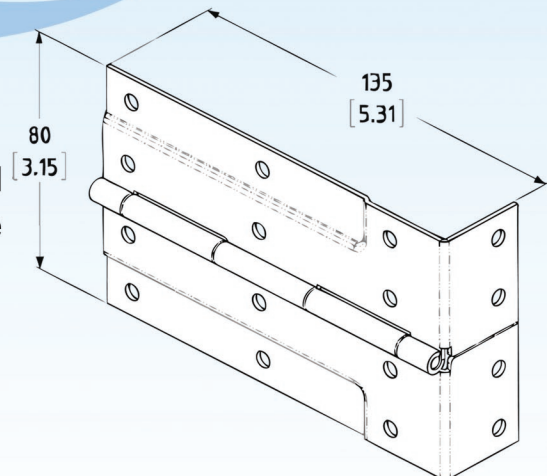
### Corner Hinge Support Brace

50025-22, 50025-30 & 50025-35



#### Features & Benefits

- Our new 50025 series corner hinge support brace is designed to strengthen hinged lids on road cases.
- Made using 1.5mm gauge steel this support brace ties in both the base and lid of the case to offer added strength and stability when case lid is in its vulnerable open position.
- It comes in 3 models designed to suit all types of custom extrusions, we have a 7/8" offset, a 1 3/16" offset and a 1 3/8" offset for those heavy duty applications.



Visit Our Website to Find a Penn Elcom Location Near You

[www.penn-elcom.com](http://www.penn-elcom.com)